

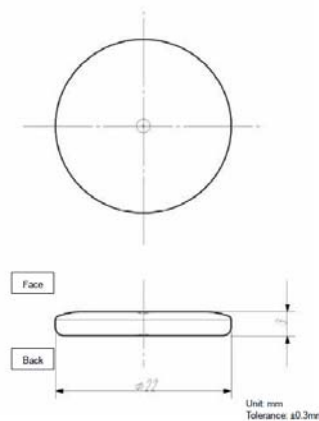
RF Coin tag $\phi 22$

Developed for linen management, such as sheets.

Practical achievements in product control, waste management

Characteristics

- Chemical resistance
- Heat resistance (storage temperature: -20 to +80°C)
- Structural design which is not sensitive to a metal detector and an inspection meter



1. Basic Specifications

Parameter	Description	Note
IC chip	NXP Semiconductors I-Code SLI	
Operating frequency	13.56 MHz	
Communication standard	ISO 15693 / ISO 18000-3 mode1	
Memory	1024 bits (User memory: 896 bits)	
Number of write cycles	100,000	
Anti-collision	Yes	
Read distance	40mm and more (Reference data)	

2. Physical Specifications

Detailed Item	Specification	Note
Dimensions	Figure $\Phi 22.0 \pm 0.3\text{mm}$	
	Thickness $3.0 \pm 0.3\text{mm}$	
Weight	$1.7 \pm 0.3\text{g}$	
Inlay material	Cu	
Surface material	Polyphenylene Sulfide (PPS)	

3. Environmental Specifications

Detailed Item	Specification	Note
Operational temperature	-25~+80°C	
Operational humidity	30~70%RH (non-condensing)	
Storage temperature	-25~+80°C	
Storage humidity	30~70%RH (non-condensing)	
Bearing stress	1000N maximum	

These specifications are subject to change without notice.

About Toppan Printing Co., Ltd.

Since its founding in 1900, Toppan Printing Co., Ltd. has played a key role in worldwide leadership of the printing industry, generated global acclaim and achieved US\$16 billion in revenues. Today, Toppan's operations extend beyond conventional printing and show strong performance in fields including securities and cards, commercial printing, publications printing, packaging, industrial materials and electronics. Toppan is also a leading supplier of RFID services. Since the 1980's the company has been developing RFID and has participated in many governmental trial projects. As a total solution provider of RFID technology, Toppan makes full use of expertise from the company's diversification.

● Contact

TOPPAN PRINTING CO., LTD.

RFID Business Team Technology Management Center
 1, Kanda Izumicho, Chiyoda-ku, Tokyo 101-0024 Japan
 PHONE +81-3-3835-5516 FAX +81-3-3835-0847
<https://www.toppan.co.jp/english/inquiry/index.html>

● More Information

TOPPAN RFID Website

http://www.toppan.co.jp/products_service/ic_tag/english/