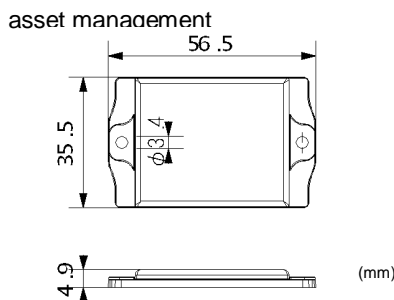


# On Metal UHF Tag

Good performance on metal, 3m read range (reference, with 0.5W reader)

Application: RTI (Returnable Transportation Item) management, asset management



### 1. Basic Specifications

Parameter	Description	Note
IC chip	NXP Semiconductors UCODE G2XM	
Operating frequency	920-925MHz, 953 ± 2MHz	
Communication standard	EPCglobal Class1 Generation2	
Memory	240 bits EPC + 512 bits User Memory	
Number of write times	100,000	as per specifications of IC chip
Anti-collision	Yes	
Read distance	3.0m and more (Reference data)	

### 2. Physical Specifications

Parameter	Description	Note
Dimensions	Long side 56.5 ± 0.3mm	
	Short side 35.5 ± 0.8mm	
	Corners -	
	thickness 4.9 ± 0.3mm	
Inlay material	Substrate PET Antenna Aluminum	
Surface material	PC	

### 3. Environmental Specifications

Parameter	Description	Note
Operational temperature	-10 ~ +85	
Operational humidity	30 ~ 70%RH (non-condensing)	
Storage temperature	-30 ~ +100	
Storage humidity	30 ~ 70%RH (non-condensing)	

These specifications are subject to change without notice.

### About Toppan Printing Co., Ltd.

Since its founding in 1900, Toppan Printing Co., Ltd. has played a key role in worldwide leadership of the printing industry, generated global acclaim and achieved US\$16 billion in revenues. Today, Toppan's operations extend beyond conventional printing and show strong performance in fields including securities and cards, commercial printing, publications printing, packaging, industrial materials and electronics. Toppan is also a leading supplier of RFID services. Since the 1980's the company has been developing RFID and has participated in many governmental trial projects. As a total solution provider of RFID technology, Toppan makes full use of expertise from the company's diversification.

### Contact

#### TOPPAN PRINTING CO., LTD.

RFID Business Team Technology Management Center  
1, Kanda Izumicho, Chiyoda-ku, Tokyo 101-0024 Japan  
PHONE +81-3-3835-5516 FAX +81-3-3835-0847  
<https://www.toppan.co.jp/english/inquiry/index.html>

### More Information

#### TOPPAN RFID Website

[http://www.toppan.co.jp/products\\_service/ic\\_tag/english/](http://www.toppan.co.jp/products_service/ic_tag/english/)